

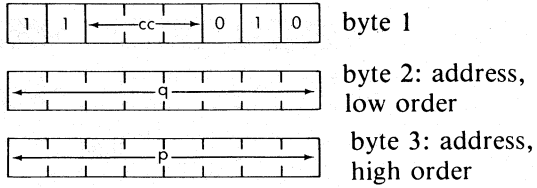
PROGRAMMING THE Z80

JP cc, pq

Jump on condition to location pq.

Function: if cc true: $PC \leftarrow pq$

Format:

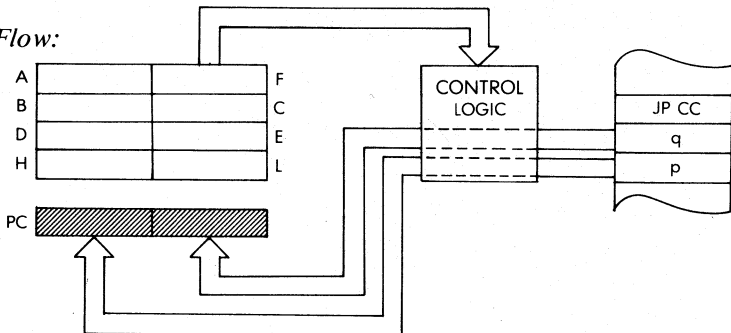


Description:

If the specified condition is true, the two-byte address immediately following the opcode will be loaded into the program counter with the first byte following the opcode being loaded into the low order of the PC. If the condition is not met, the address is ignored. cc may be any one of:

NZ - 000	no zero
Z - 001	zero
NC - 010	no carry
C - 011	carry
PO - 100	parity odd
PE - 101	parity even
P - 110	plus
M - 111	minus

Data Flow:

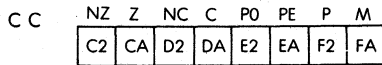


THE Z80 INSTRUCTION SET

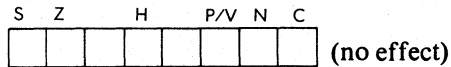
Timing: 3 M cycles; 10 T states; 5 usec @ 2 MHz

Addressing Mode: Immediate.

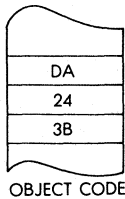
Byte Codes:



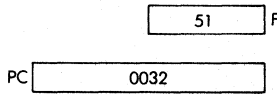
Flags:



Example: JP C, 3B24



Before:



After:

