

## PROGRAMMING THE Z80

**INC (IY + d)** Increment indexed addressed memory location (IY + d).

*Function:*  $(IY + d) \leftarrow (IY + d) + 1$

*Format:*

1	1	1	1	1	1	0	1
---	---	---	---	---	---	---	---

byte 1: FD

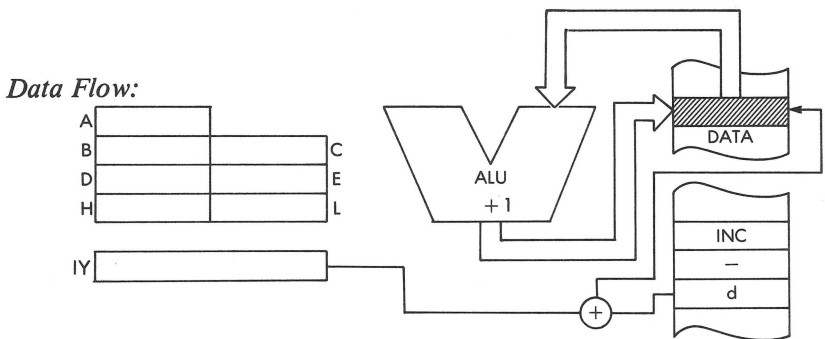
0	0	1	1	0	1	0	0
---	---	---	---	---	---	---	---

byte 2: 34

←----- d -----→							
-----------------	--	--	--	--	--	--	--

byte 3: offset value

*Description:* The contents of the memory location addressed by the contents of the IY register plus the given offset value are incremented and stored back at that location.



*Timing:* 6 M cycles; 23 T states; 11.5 usec @ 2 MHz

*Addressing Mode:* Indexed.

*Flags:*

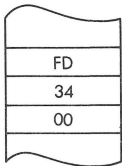
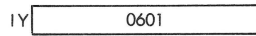
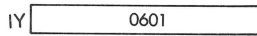
S	Z		H	P/V	N	C
●	●		●	●	○	

# THE Z80 INSTRUCTION SET

*Example:*            `INC (IY + 0)`

**Before:**

**After:**



OBJECT  
CODE

