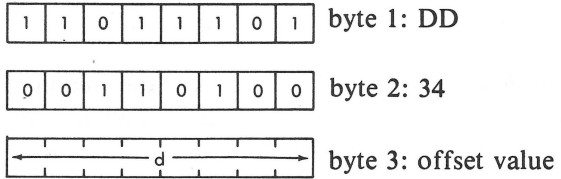


PROGRAMMING THE Z80

INC (IX + d) Increment indexed addressed memory location (IX + d).

Function: $(IX + d) \leftarrow (IX + d) + 1$

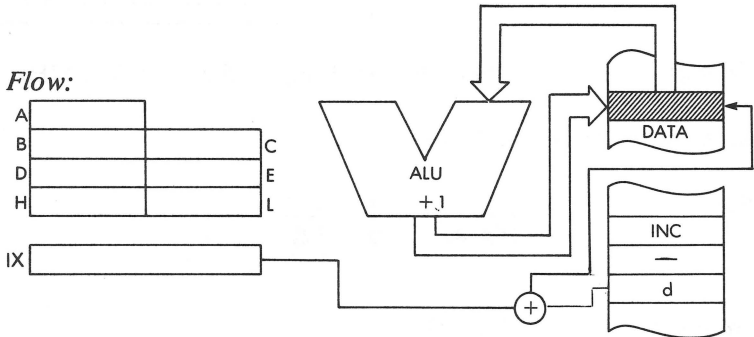
Format:



Description:

The contents of the memory location addressed by the contents of the IX register plus the given offset value are incremented and stored back at that location.

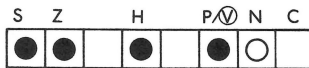
Data Flow:



Timing: 6 M cycles; 23 T states; 11.5 usec @ 2 MHz

Addressing Mode: Indexed.

Flags:



THE Z80 INSTRUCTION SET

Example:

INC (IX + 2)

Before:

After:

