

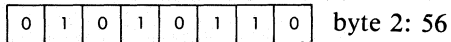
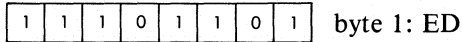
## THE Z80 INSTRUCTION SET

### IM 1

Set interrupt mode 1 condition.

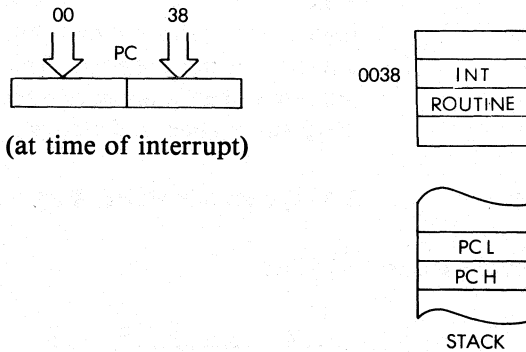
*Function:* Internal interrupt control.

*Format:*



*Description:* Sets interrupt mode 1. A RST 0038H instruction will be executed when an interrupt occurs.

*Data Flow:*



*Timing:* 2 M cycles; 8 T states; 4 usec @ 2 MHz

*Addressing Mode:* Implicit.

*Flags:*

