

PROGRAMMING THE Z80

EX (SP), IY Exchange IY with top of stack.

Function: (SP) ↔ IY_{low}; (SP + 1) ↔ IY_{high}

Format:

1	1	1	1	1	1	0	1
---	---	---	---	---	---	---	---

byte 1: FD

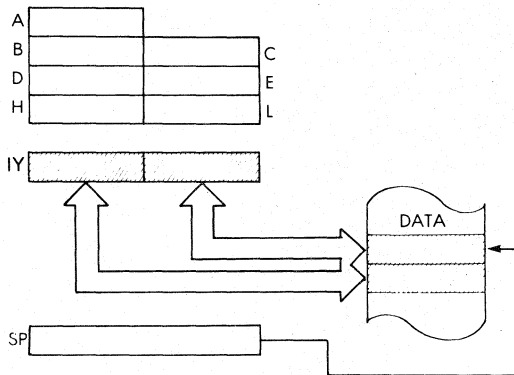
1	1	1	0	0	0	1	1
---	---	---	---	---	---	---	---

byte 2: E3

Description:

The contents of the low order of the IY register are exchanged with the contents of the memory location addressed by the stack pointer. The contents of the high order of the IY register are exchanged with the contents of the memory location immediately following the one addressed by the stack pointer.

Data Flow:



Timing:

6 M cycles; 23 T states; 11.5 usec @ 2 MHz

Addressing Mode: Indirect.

Flags:

S	Z	H	P/V	N	C

(no effect).

THE Z80 INSTRUCTION SET

Example:

EX (SP), IY

Before:

IY

BF03

SP

6211

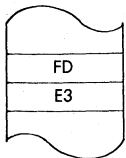
After:

IY

4D90

SP

6211



OBJECT CODE

