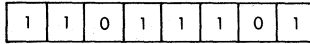


PROGRAMMING THE Z80

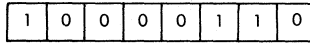
ADD A, (IX + d) Add accumulator with indexed addressed memory location (IX + d)

Function: $A \leftarrow A + (IX + d)$

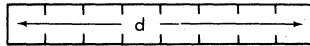
Format:



byte 1: DD



byte 2: 86

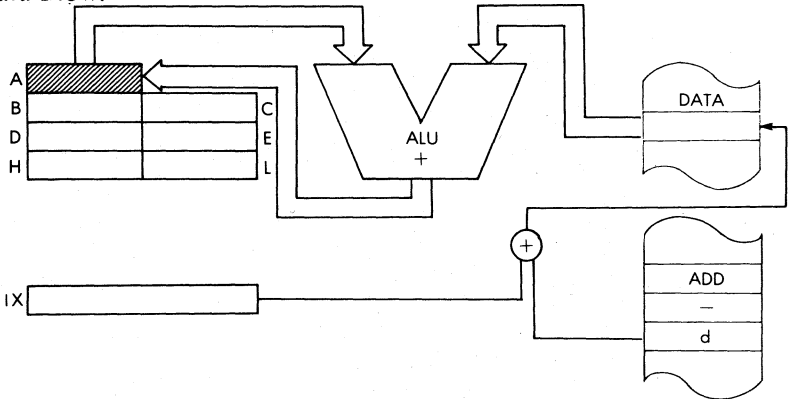


byte 3: offset value

Description:

The contents of the accumulator are added to the contents of the memory location addressed by the contents of the IX register plus the immediate offset value. The result is stored in the accumulator.

Data Flow:

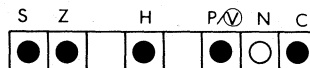


Timing:

5 M cycles; 19 T states; 9.5 usec @ 2 MHz

Addressing Mode: Indexed.

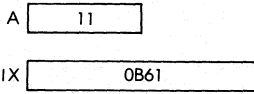
Flags:



THE Z80 INSTRUCTION SET

Example: **ADD A, (IX + 3)**

Before:



After:

